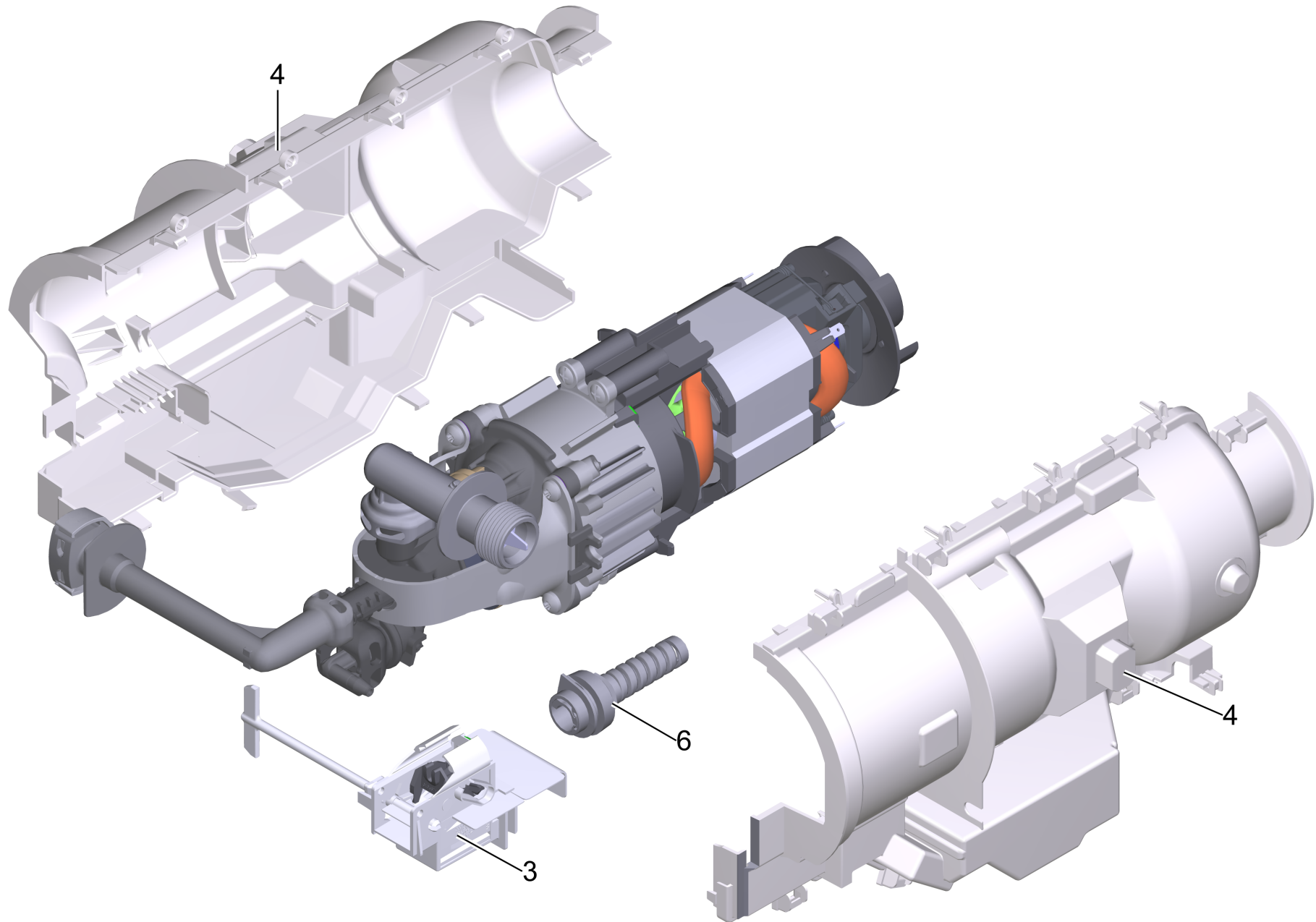


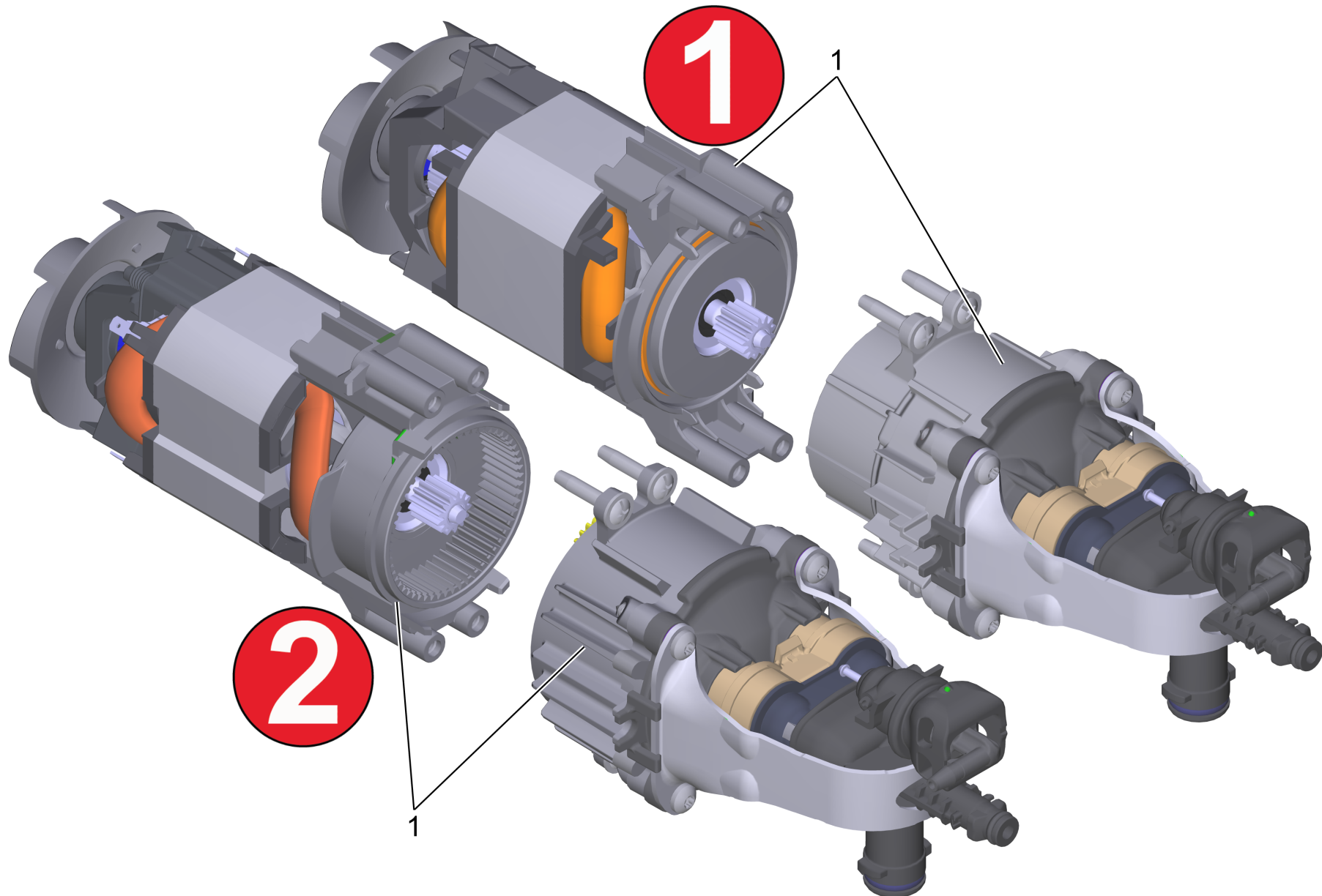
1 Pump cpl. KP 2/0-N-UM*EU

Home and Garden \ High pressure cleaner cold water \ Electric motor \ K 3 \ K 3 Power Control *EU \ Pump cpl. KP 2/0-N-UM*EU



1 Pump cpl. KP 2/0-N-UM*EU

Home and Garden \ High pressure cleaner cold water \ Electric motor \ K 3 \ K 3 Power Control *EU \ Pump cpl. KP 2/0-N-UM*EU



1 Pump cpl. KP 2/0-N-UM*EU

Home and Garden \ High pressure cleaner cold water \ Electric motor \ K 3 \ K 3 Power Control *EU \ Pump cpl. KP 2/0-N-UM*EU



| POS | Article no. | Description | Quantity | Unit | Foot note text |
|-----|-------------|---|----------|------|----------------|
| 1 | | KP -2/0-N-UM*EU-220-240/50-60-5,5/8+INA | 1 | PC | VERSION 1 |
| 1 | | KP 2/0-N-UM*EU-220-240/50-60-5,5/8+U&J | 1 | PC | VERSION 2 |
| 3 | | Switch with axle RV | 1 | PC | |
| 4 | 4.067-071.0 | Motor housing set replacement K2 RV | 1 | PC | |
| 6 | 6.648-181.0 | Cable with plug *EU (H05VV-F 2x1-5,5m) | 1 | PC | |