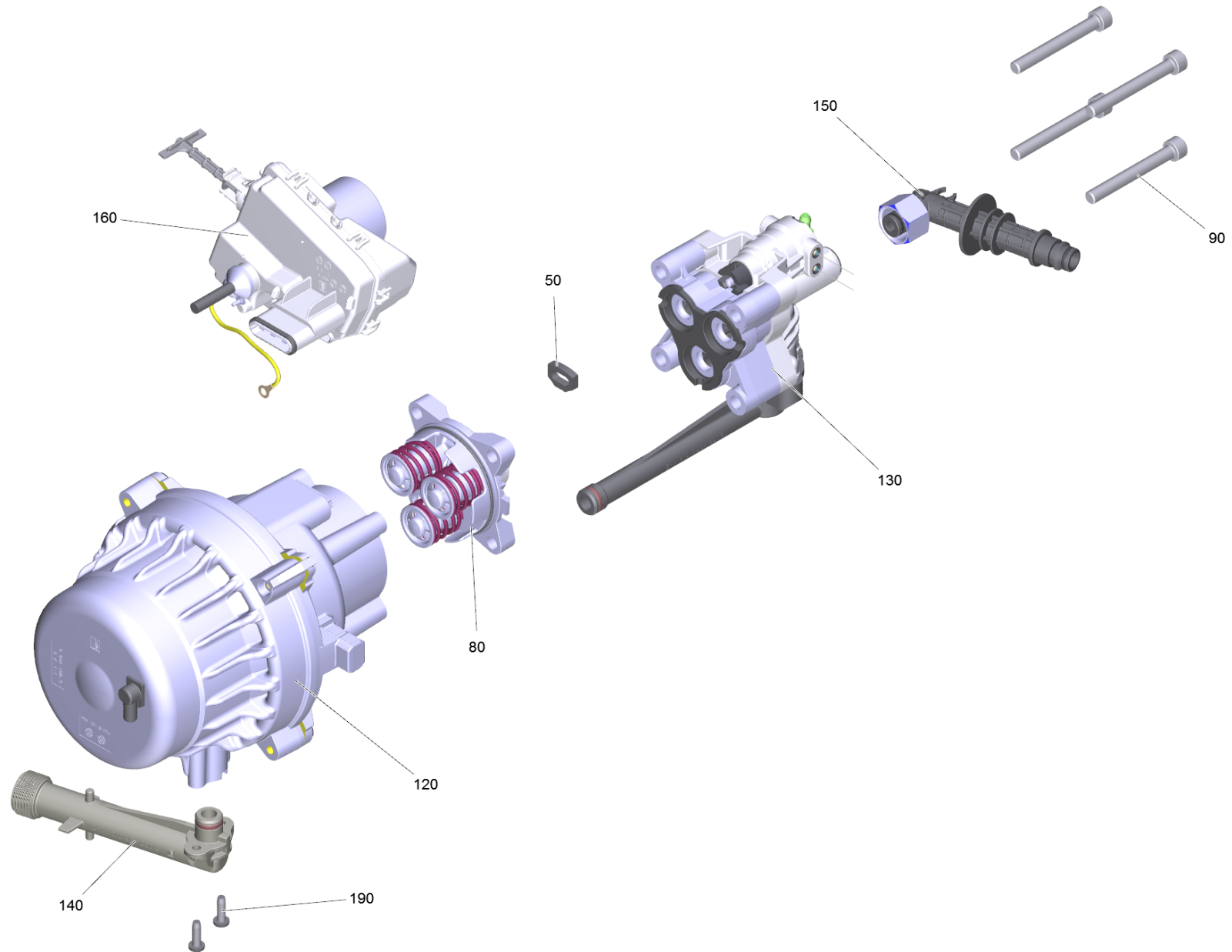


109 Pump set K5 FC *EU

Home and Garden \ High pressure cleaner cold water \ Electric motor \ K 5 \ K 5 Power Control Flex *EU \ Pump set K5 FC *EU



109 Pump set K5 FC *EU

Home and Garden \ High pressure cleaner cold water \ Electric motor \ K 5 \ K 5 Power Control Flex *EU \ Pump set K5 FC *EU

KÄRCHER

POS	Article no.	Description	Quantity	Unit
50	9.048-071.0	Spacer - Seal	1	PC
80		Thrust guidance FC/SCR K5	1	PC
90	7.306-151.0	Cylinder head screw M8x65 -8.8-A2E ISO4	4	PC
120	9.002-420.0	Motor complete K5 EU WCM 3 (ric)	1	PC
130		Pump cpl. FC K5	1	PC
140	9.002-432.0	Suction connection cpl FC + filter	1	PC
150	9.013-435.0	HP inner fitting K5 FC Al	1	PC
160	9.002-421.0	E-box K5 FC without PCB EU (ric)	1	PC
190	7.303-076.0	Sheet metal screw ST4,8X13 -St-R2R (In6	2	PC