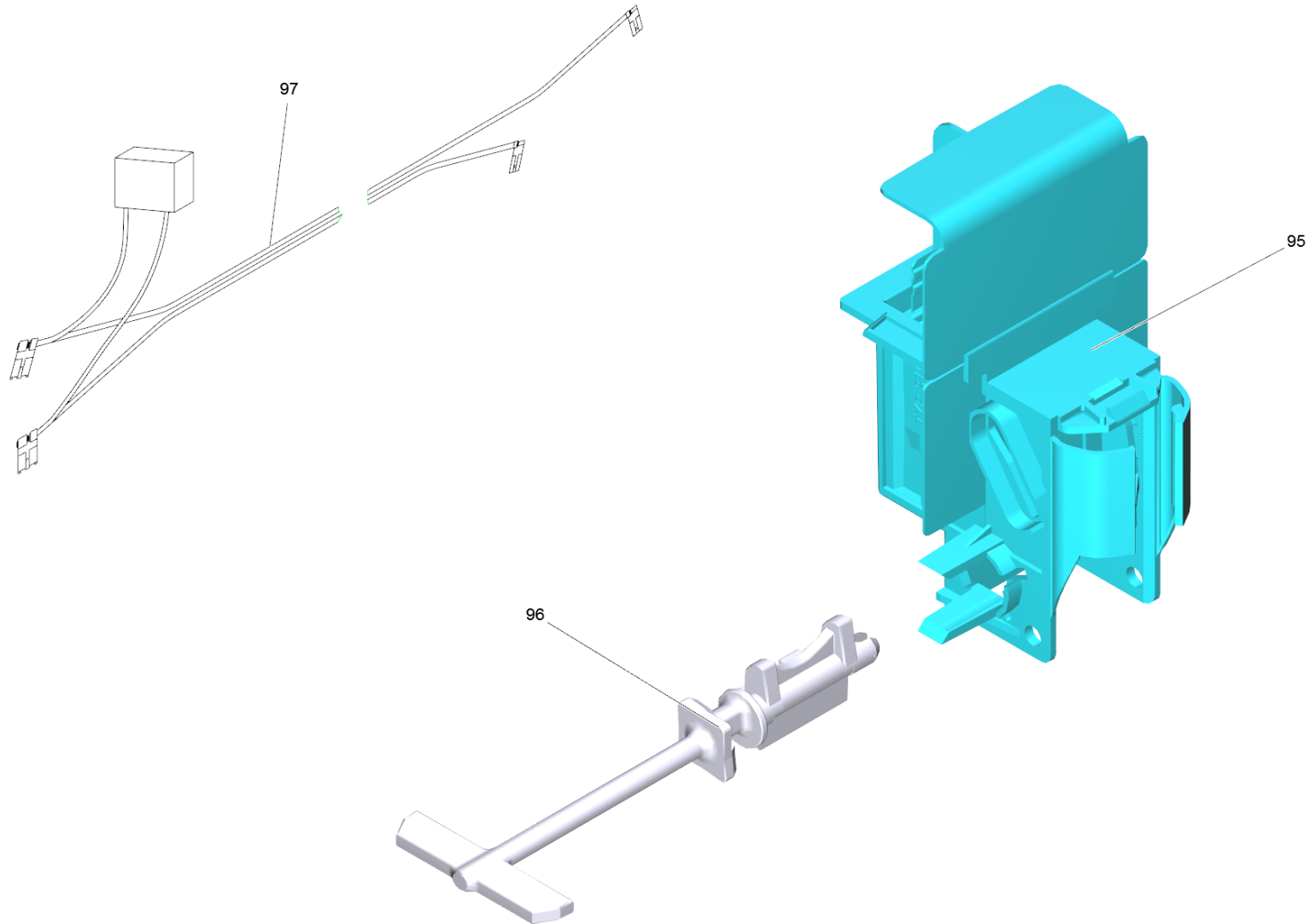


3 Switch with axle RV

Home and Garden \ High pressure cleaner cold water \ Electric motor \ K 3 \ K 3 Power Control *EU \ Pump cpl. KP 2/0-N-UM*EU \ Switch with axle RV



3 Switch with axle RV

Home and Garden \ High pressure cleaner cold water \ Electric motor \ K 3 \ K 3 Power Control *EU \ Pump cpl. KP 2/0-N-UM*EU \ Switch with axle RV



| POS | Article no. | Description | Quantity | Unit |
|-----|-------------|--|----------|------|
| 95 | 6.630-768.0 | Switch replacement + UL/CSA RV | 1 | PC |
| 96 | 5.105-659.0 | Axle UZS 75.5mm | 1 | PC |
| 97 | 6.648-389.3 | Cable with capacitor 220nF (225/280mm) | 1 | PC |