

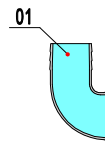
TYPE: SUBMERSIBLE SEWAGE PUMP

MODEL: 80U25.5

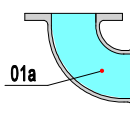
### Main Data

Flow	50m³/h
Head	12m
Rated power p2	5.5kW
Rated power p1	6.9kW
Max Flow	70m³/h
Max Head	23m
Rated voltage	3Øx380/660V
Rated current	11.7/6.7A
Starting current, direct starting	65.2/35.7A
Starting current, star-delta	/
Frequency	50Hz
Speed	2850r/min
Insulation class	B
Degree of protection	IP68
Temperature	0~40°C
Fluid	Wastewater
Density	≤1.3g/cm³
Discharge port	80mm
Impeller	Ø144
Solid size	56mm
Power cable	4G2.5mm²
Control cable	/
Shaft seal on motor side	Sic-Sic/Carbon-Ceramic
Shaft seal on medium side	/
Oil seal	
Upper Bearing	Ball Bearing
Lower Bearing	Ball Bearing×2
Net Weight	73kg

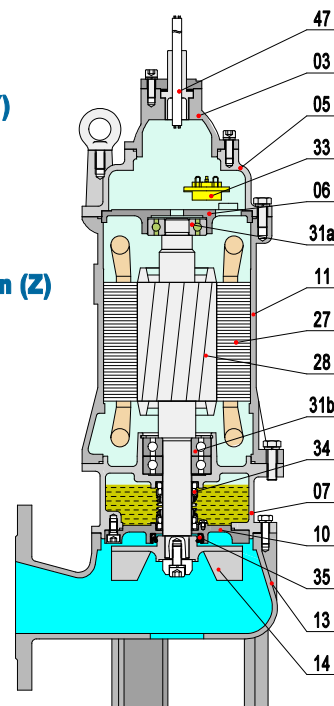
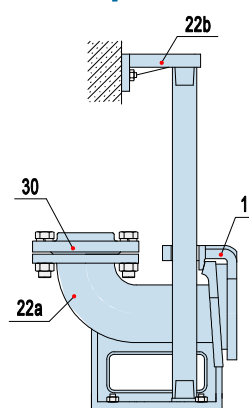
### Movable Soft Pipe Installation (R)



### Hard Pipe Installation (Y)



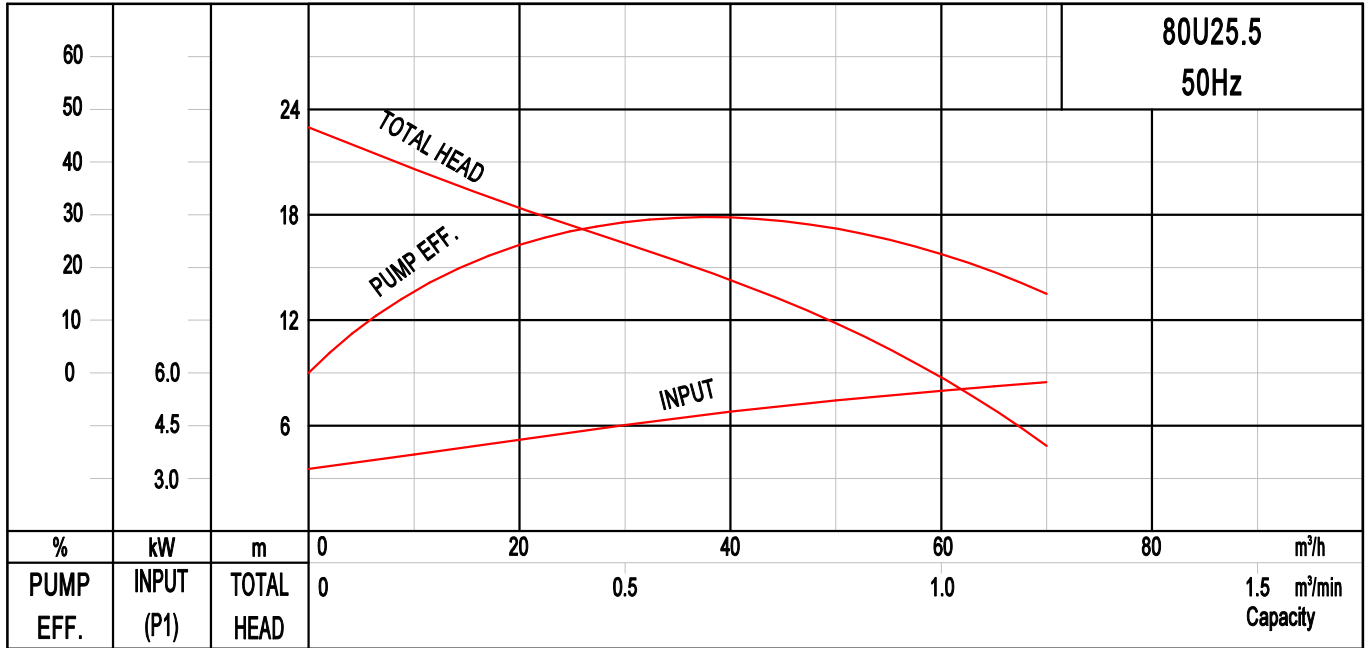
### Auto-coupled Installation (Z)



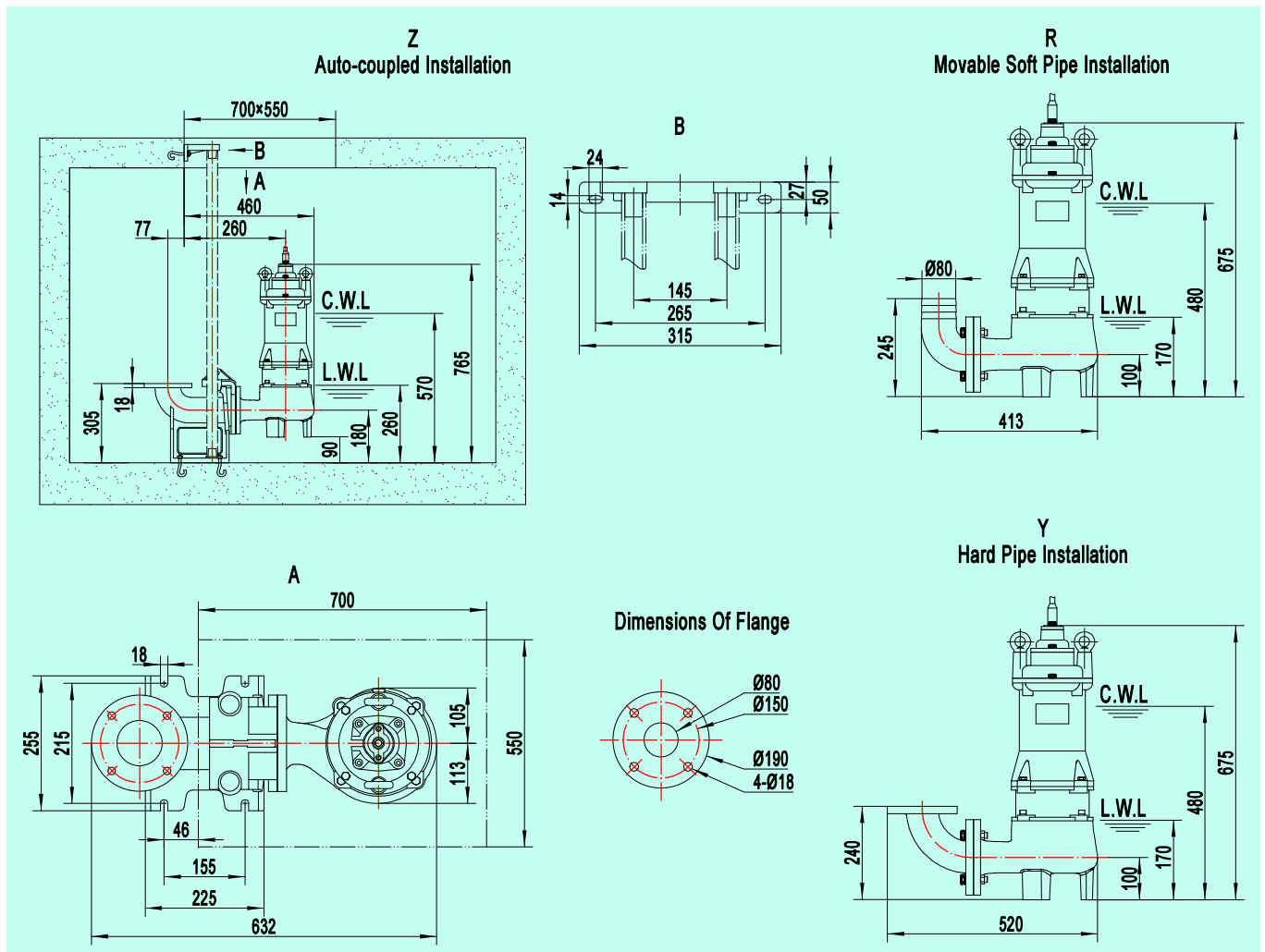
### Materials of construction

Item No.	Part name	Material
01	Hose coupling	Cast iron
01a	Hose coupling	Cast iron
03	Terminal box	Cast iron
05	Upper cover	Cast iron
06	Up-Bearing house	Cast iron
07	Bearing house	Cast iron
10	Seal bracket	Cast iron
11	Motor body	Cast iron
13	Pump body	Cast iron
14	Impeller	Cast iron
17	Coupling adapter	Cast iron
22a	Coupling seat	Cast iron
22b	Upper guide support	Cast iron
27	Stator	
28	Rotor	Shaft : AISI304SS
30	Flange	Cast iron
31a	Bearing	Ball bearing
31b	Bearing	Ball bearing
33	Motor protector	
34	Mechanical seal	Sic-Sic/Carbon-Ceramic
35	Oil seal	
47	Cable	

### Performance Curve



### Installation Drawings



RESERVE THE RIGHT TO ALTER TECHNIQUE

All rights reserved. This file are not allowed to be copied all or partially without permission.