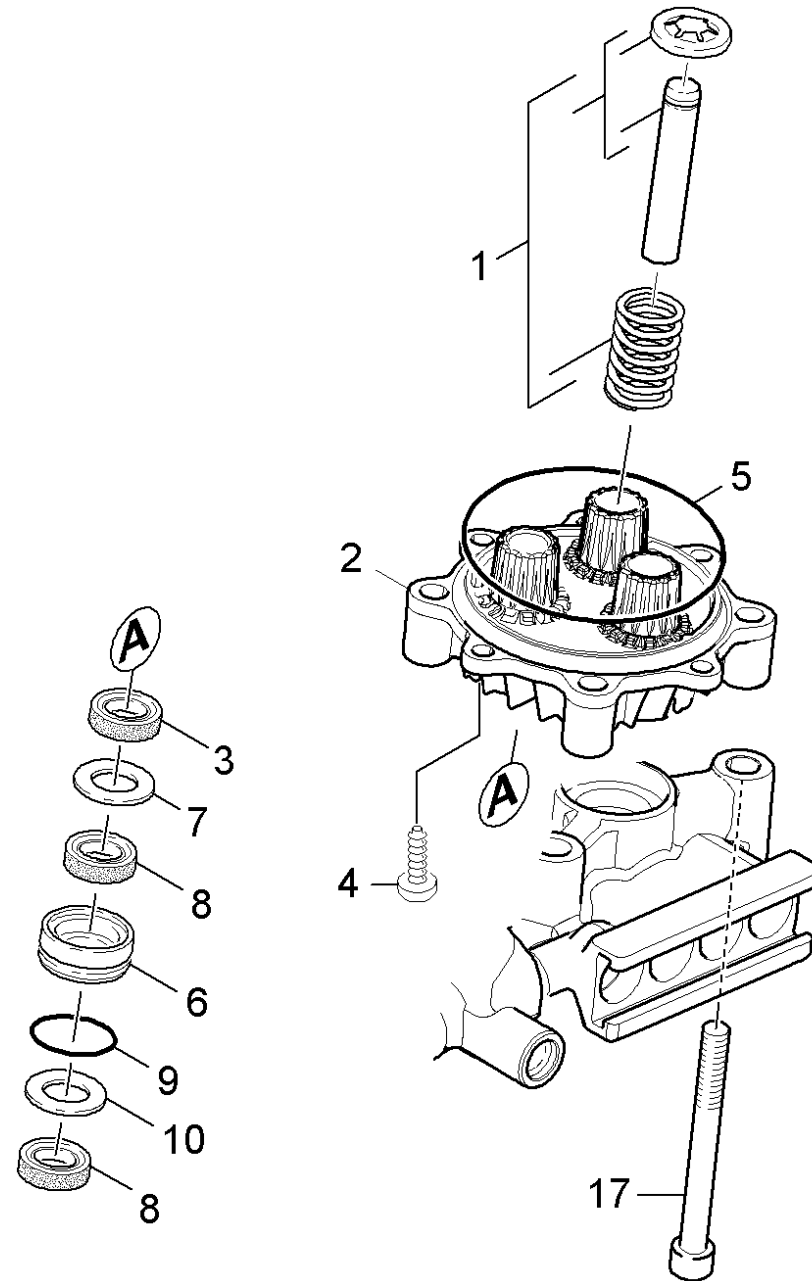


22 Thrust guidance

Professional \ High pressure cleaner cold water \ Electric motor \ HD 6/15 C *EU \ Spare parts list high-pressure 6/15 C *E \ Pump set \ Thrust guidance



22 Thrust guidance

Professional \ High pressure cleaner cold water \ Electric motor \ HD 6/15 C *EU \ Spare parts list high-pressure 6/15 C *E \ Pump set \ Thrust guidance

KÄRCHER

POS	Article no.	Description	Quantity	Unit
1	4.553-306.0	Piston -nur fuer Ersatz-	3	PC
2	5.061-018.3	Thrust guidance	1	PC
3	6.365-001.0	Grooved ring 12x20x4/6	3	PC
4	7.303-047.0	Screw M6x16 -St-R3R (In6Rd)	2	PC
5	6.363-077.0	O-Ring seal 75x3	1	PC
6	5.112-726.0	Bush	3	PC
7	5.116-093.0	Washer	3	PC
8	6.365-563.0	Grooved ring	6	PC
9	6.362-376.0	O-Ring seal 24,0 X 1,5	3	PC
10	5.115-721.0	Washer	3	PC
17	7.306-106.0	Cylinder head screw M8x70 -8.8-A2E ISO4	4	PC